
Model : iR1230

iR1270F

Ref.No. : FF-T01-L6 -000056-UK1

Data : Oct.11.2002

© Canon (UK) Limited

Location : ADF ASSEMBLY (2/2)

Subject : The shape of member part changed

Reason :

For manufacturing reasons

Outline :

XD2-1100-242 (RING, E; See 507 in the attachment) prevented coming off of FC5-0054-000 (SHAFT, REGIST PRESSURE ARM; See 37 in the attachment).

However, the shape of the base part attached to FC5-0054-000 is changed this time to prevent FC5-0054-000's coming off instead.

Therefore, XD2-1100-242 is not used with this change.

In addition, the groove of FC5-0054-000 to attach XD2-1100-242 is not used.

Service Parts

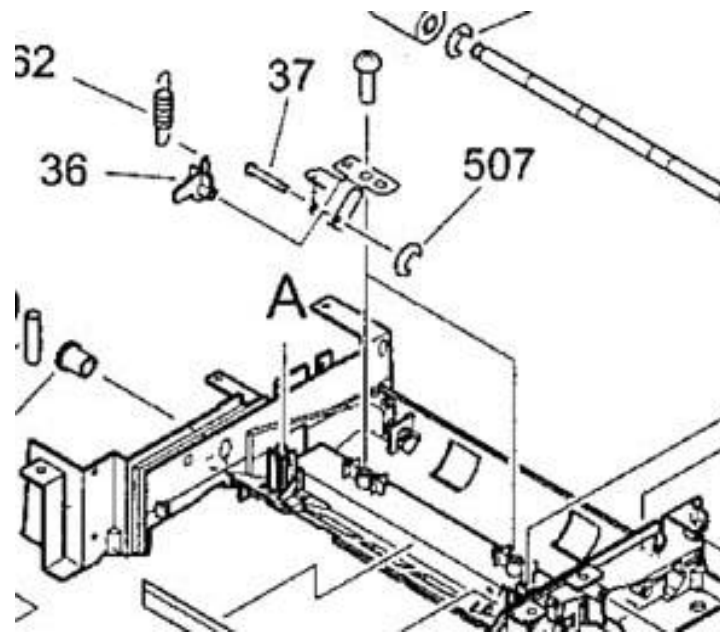
FC5-0054-000 with groove is stored.

For the products manufactured before this change, XD2-1100-242 is stored.

NOTE)

In the case that FC5-0054-000 cannot be attached to the base part, remove XD2-1100-242.

The attachment is a part of the Parts Catalog FIGURE161.



The implementation date at the factory and the serial numbers concerned will be notified when they become definite.